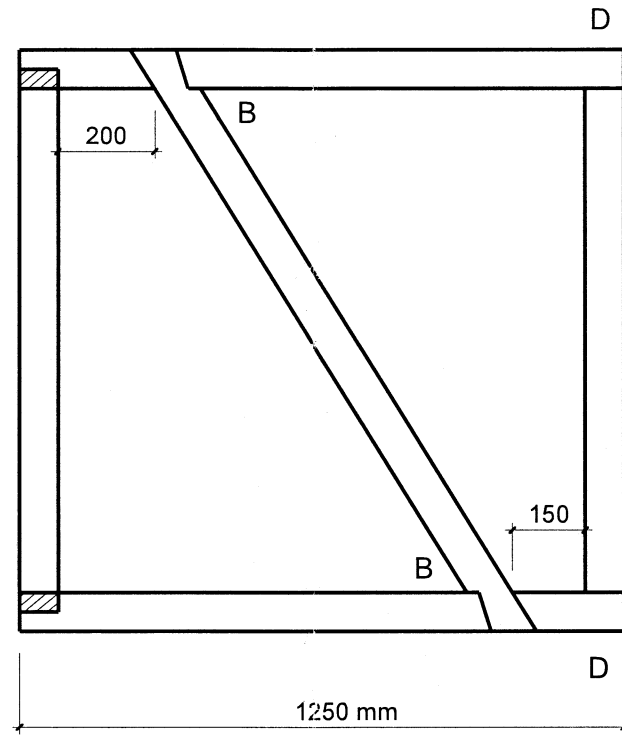
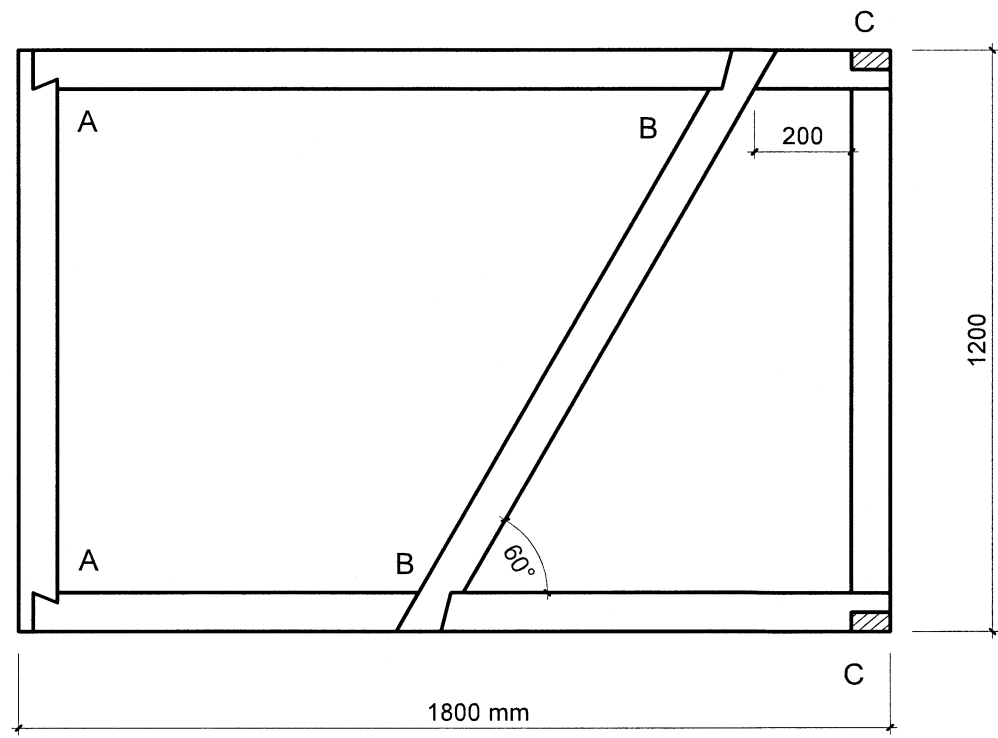
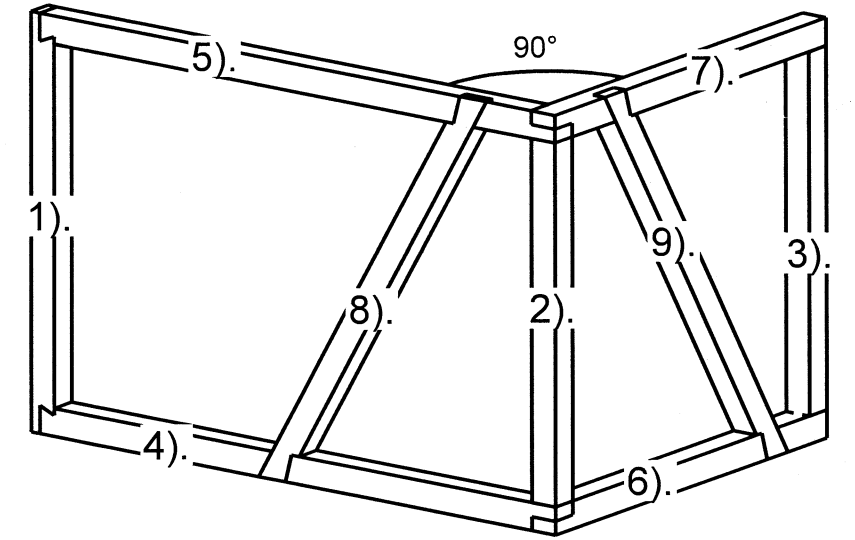


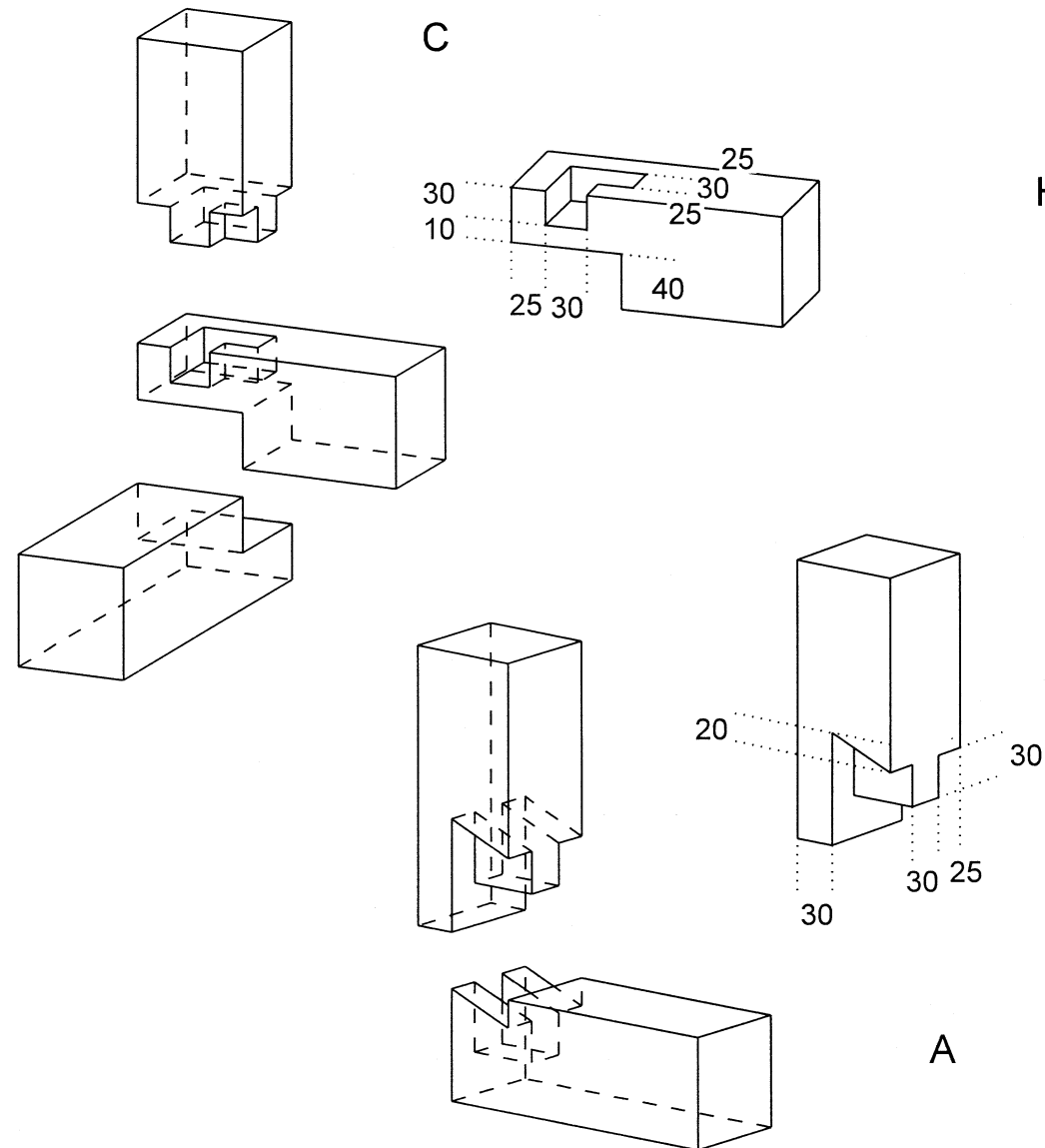
Pat Publ UK
 Patent Benach.



Ansicht / Vue / View



Eric LASSET FR
 christoph Kromm LI
 Exp. wood. CH

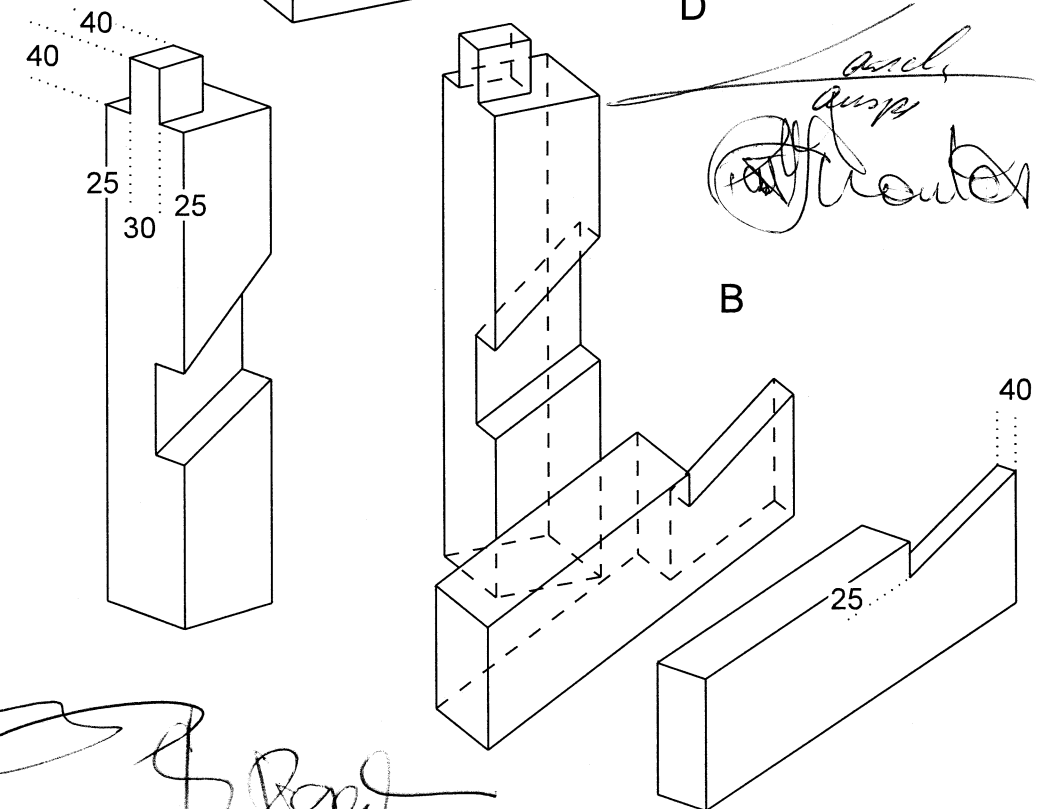


Holzliste / Liste de bois / Material list

- 1). 1x 80/80/1300 mm
- 2). 1x 80/80/1300 mm
- 3). 1x 80/80/1300 mm
- 4). 1x 80/80/1900 mm
- 5). 1x 80/80/1900 mm
- 6). 1x 80/80/1350 mm
- 7). 1x 80/80/1350 mm
- 8). 1x 80/80/1500 mm
- 9). 1x 80/80/1600 mm

제 성봉 KR
 遠藤公紀 JP

Seulla DK



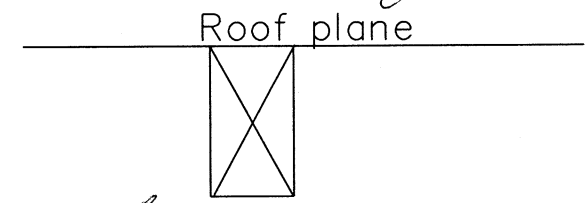
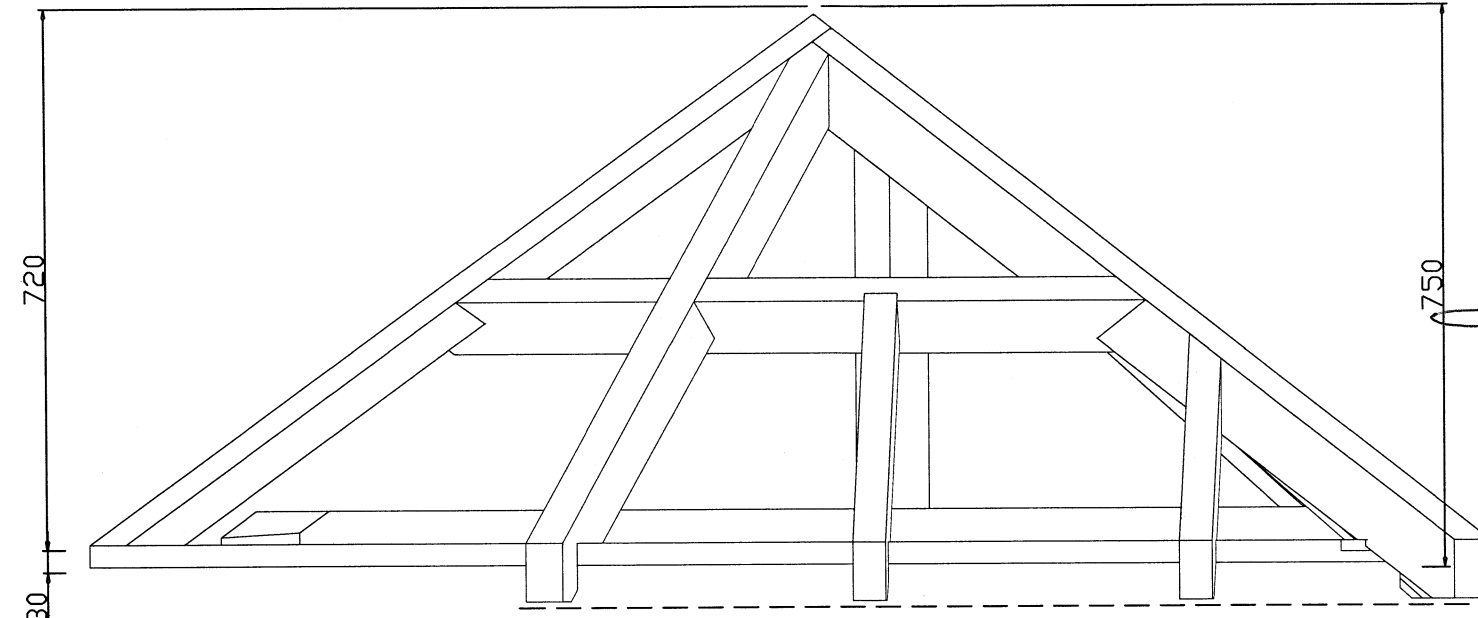
and
 Ausp
 (Signature) IE

14/07.

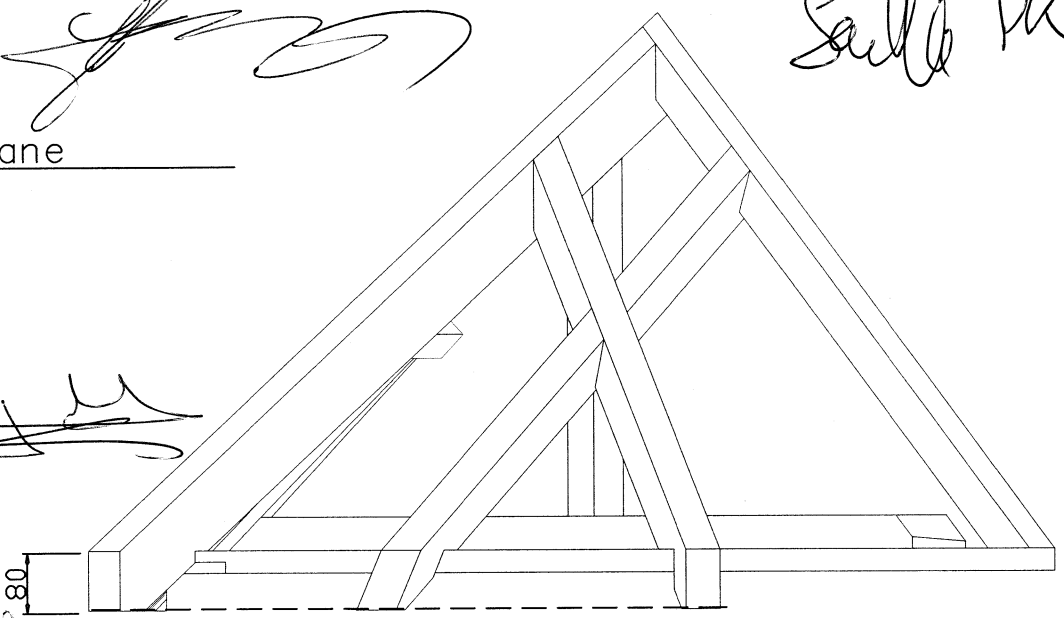
Module 1	worldskills / 26 carpentry Shizuoka / Japan / 2007 Switzerland
---------------------------	--

채성봉 KR

Salla PK



Eric LASSET FR
Christoph Frommelt LI
遠藤公紀 JP

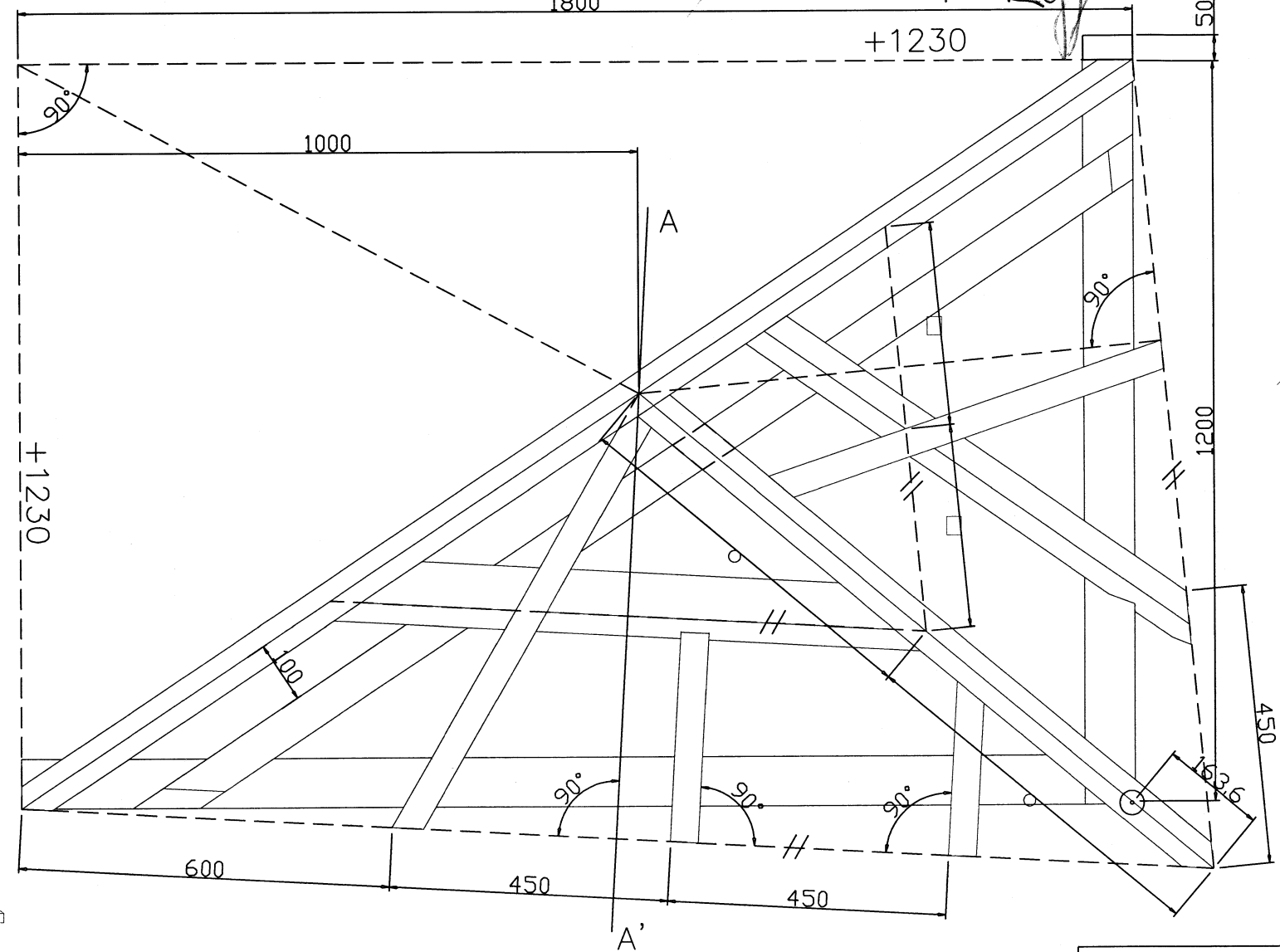
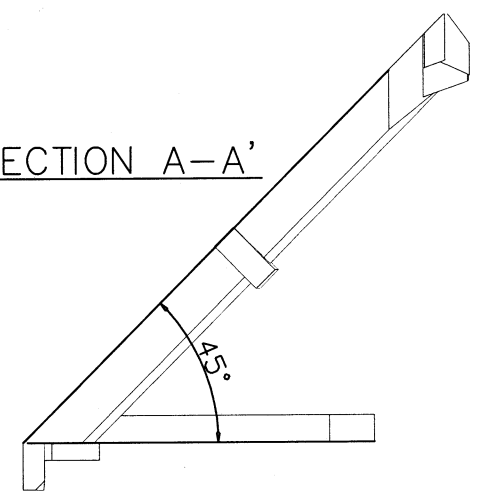


ELEVATION

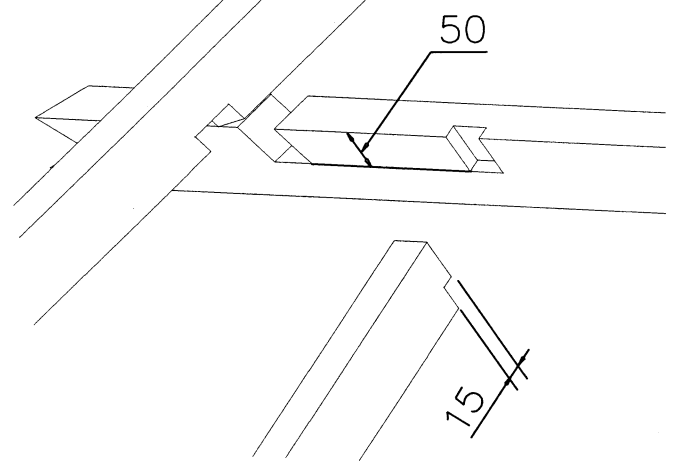
SIDE ELEVATION

Pat Phillips UK
Roland Bensch

SECTION A-A'



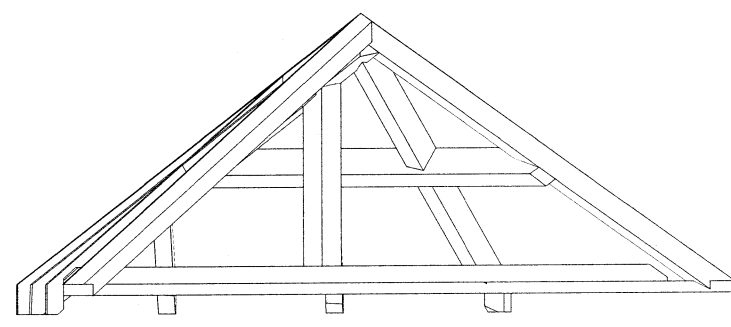
PLAN



PURLIN DETAIL

Heuter, IE

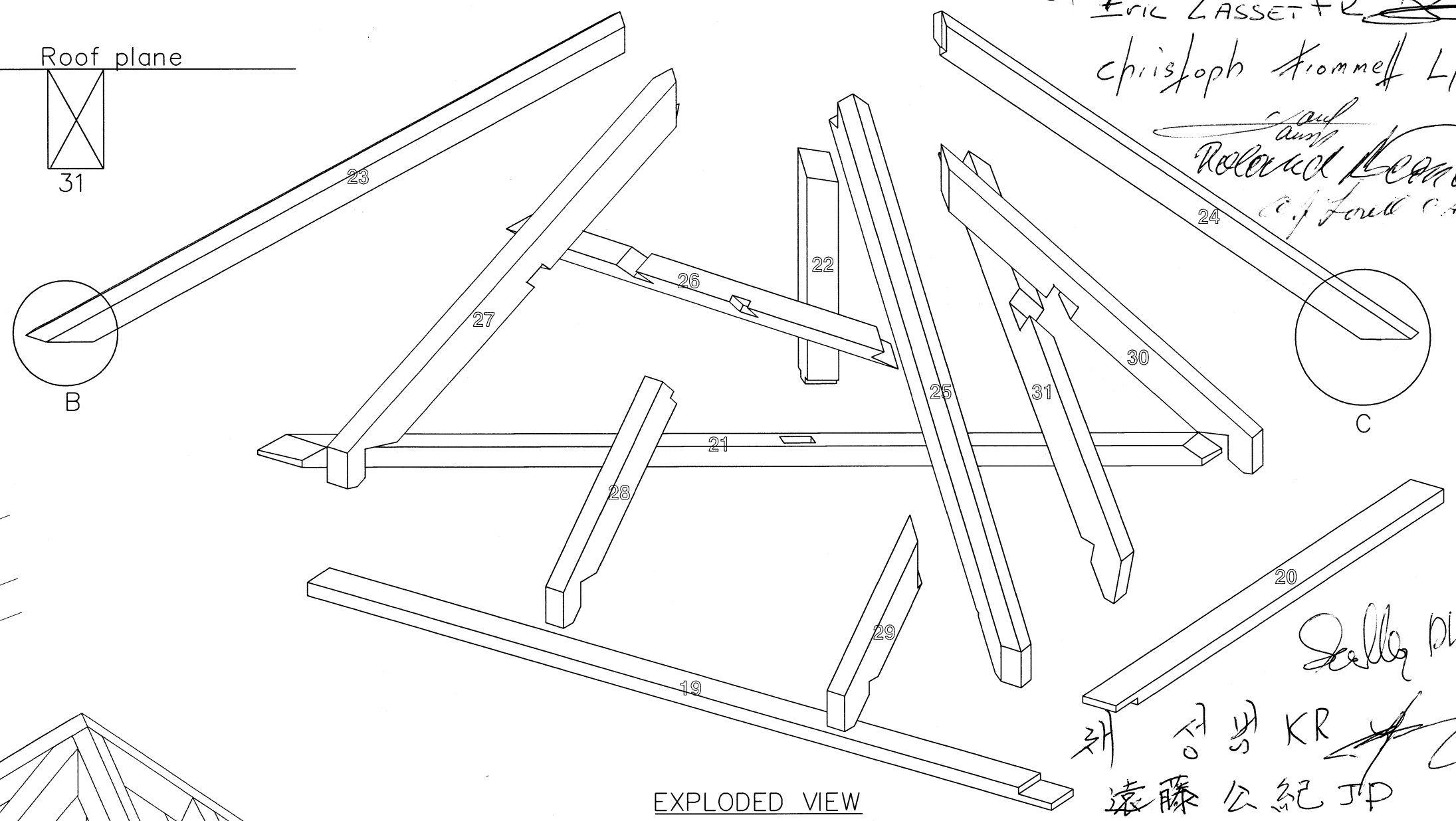
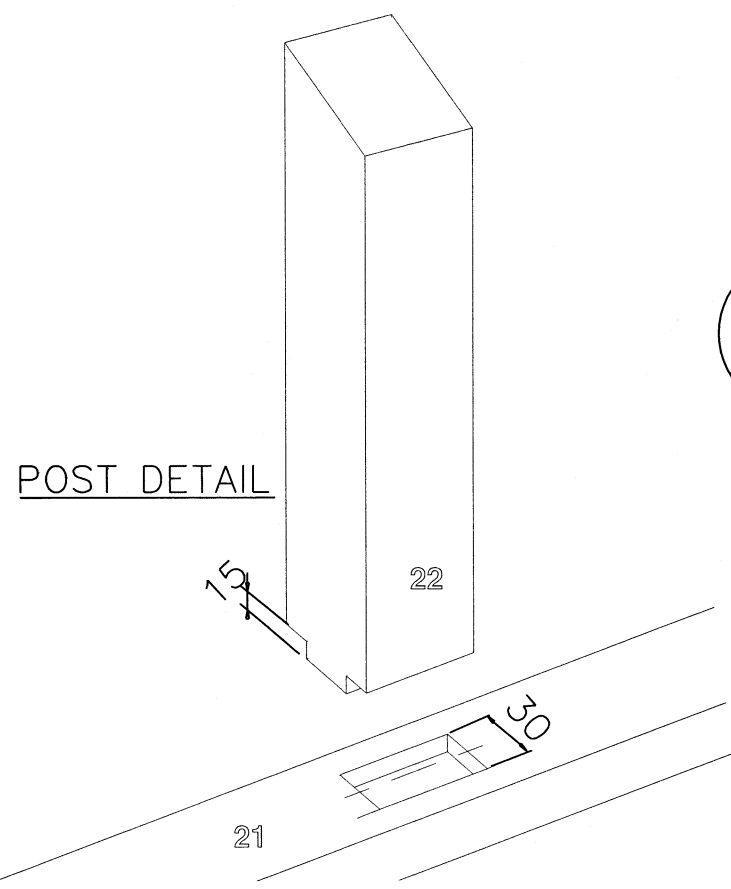
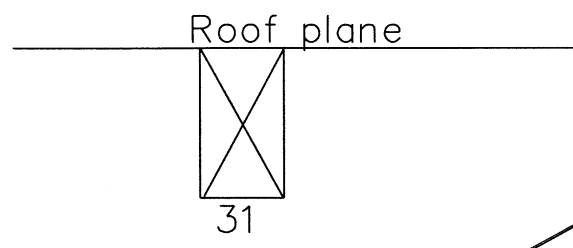
MODULE 2



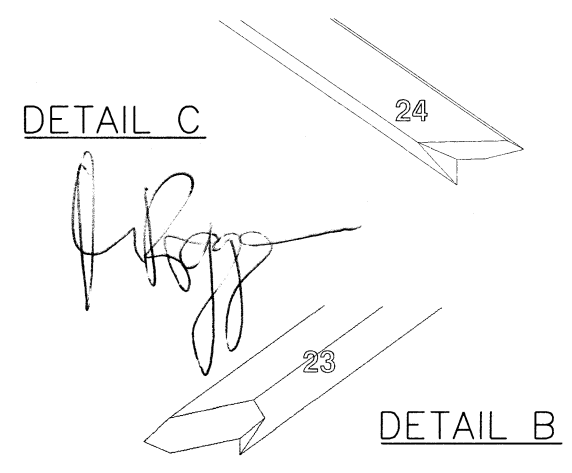
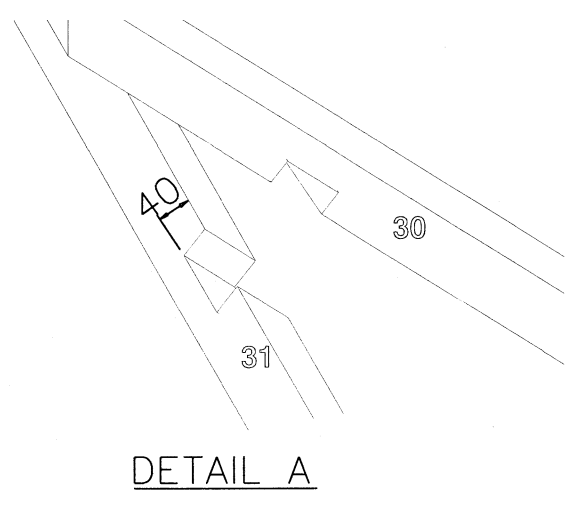
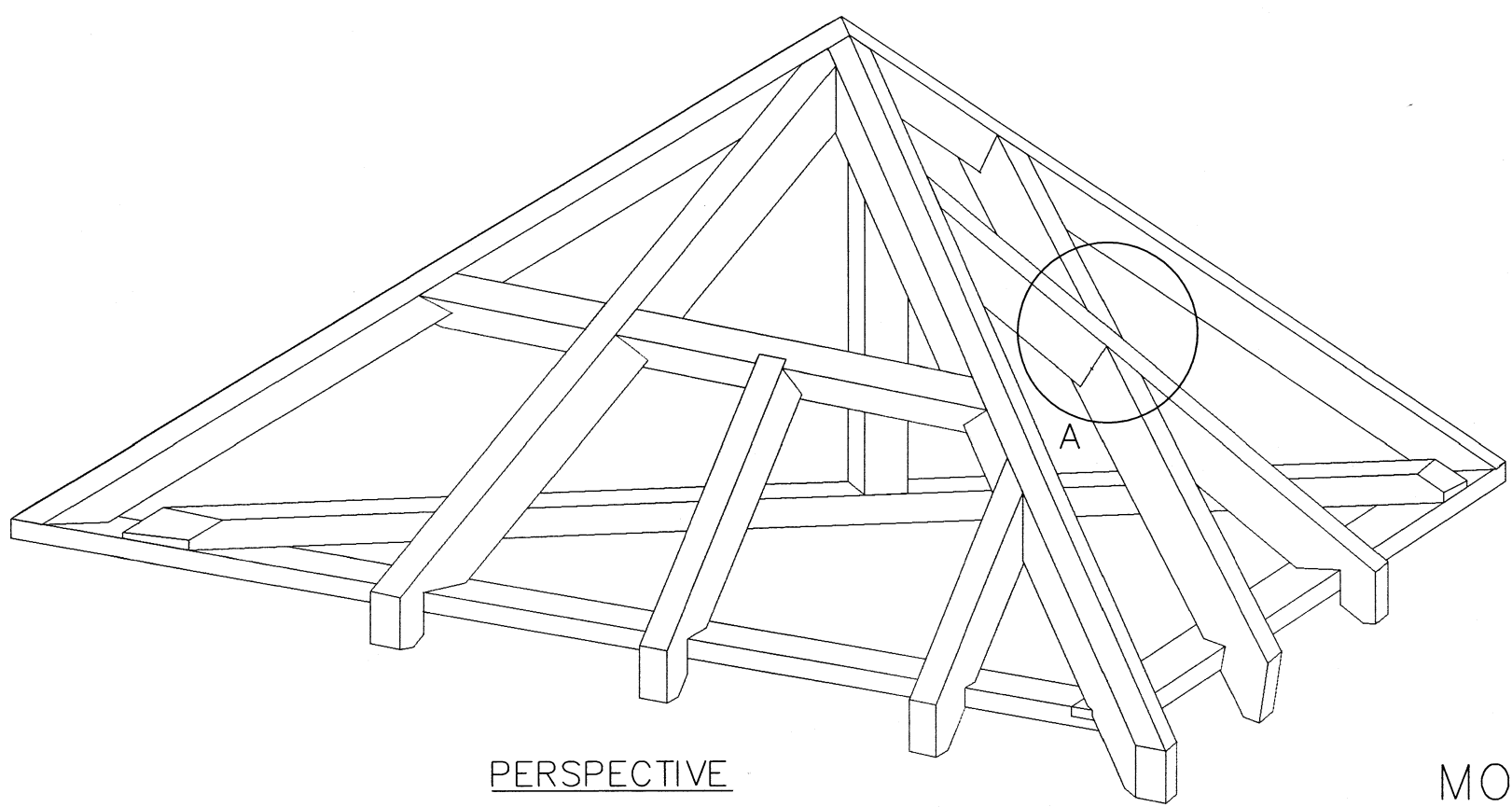
REAR ELEVATION

worldskills/Shizuoka/JAPAN/2007	
Skill: 26 CARPENTRY	Module 2
Not to scale	JAPAN Page: 1 of 2

Pat Phally UK
 Erik Lasset FR
 Christoph Kromm LI
 Roland Kromm
 C. J. Ford CA



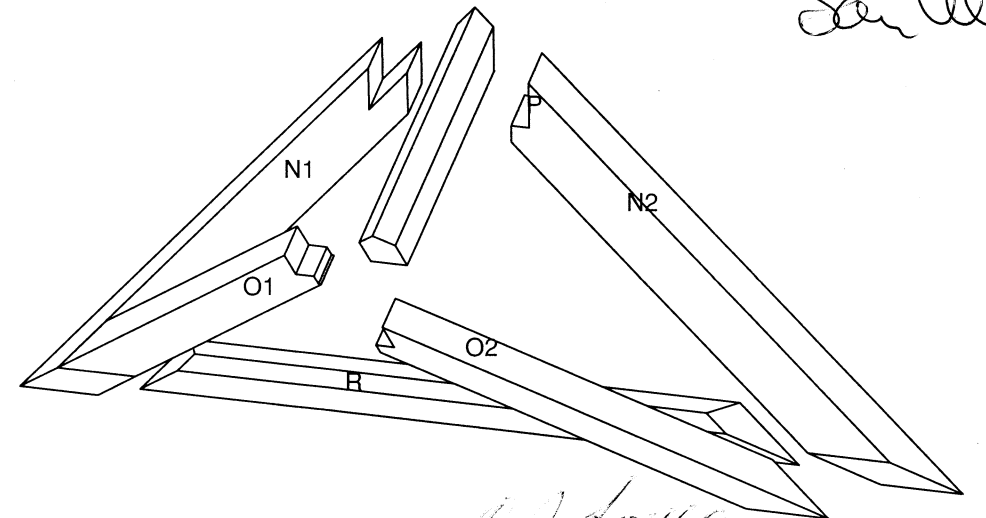
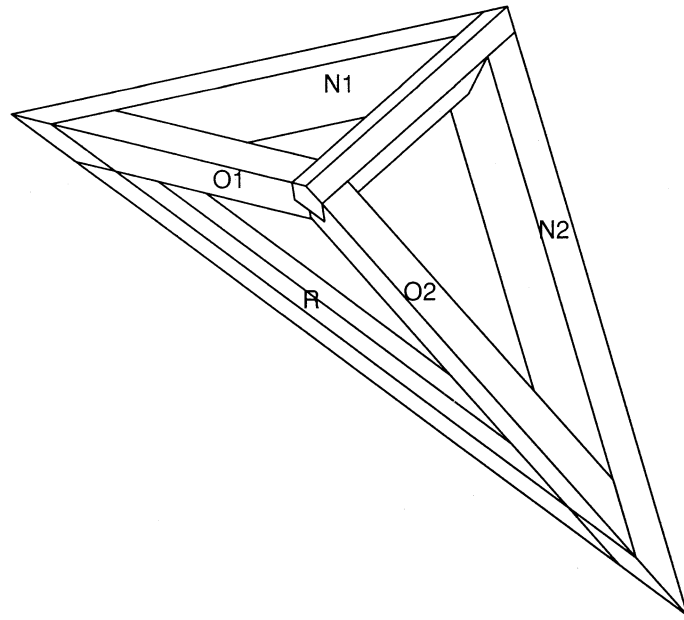
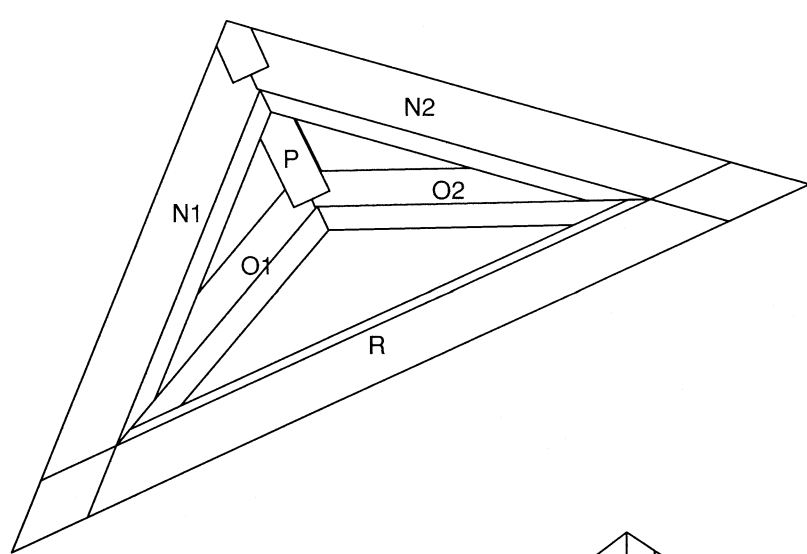
Sally DK
 채성남 KR
 遠藤公紀 JP



PERSPECTIVE

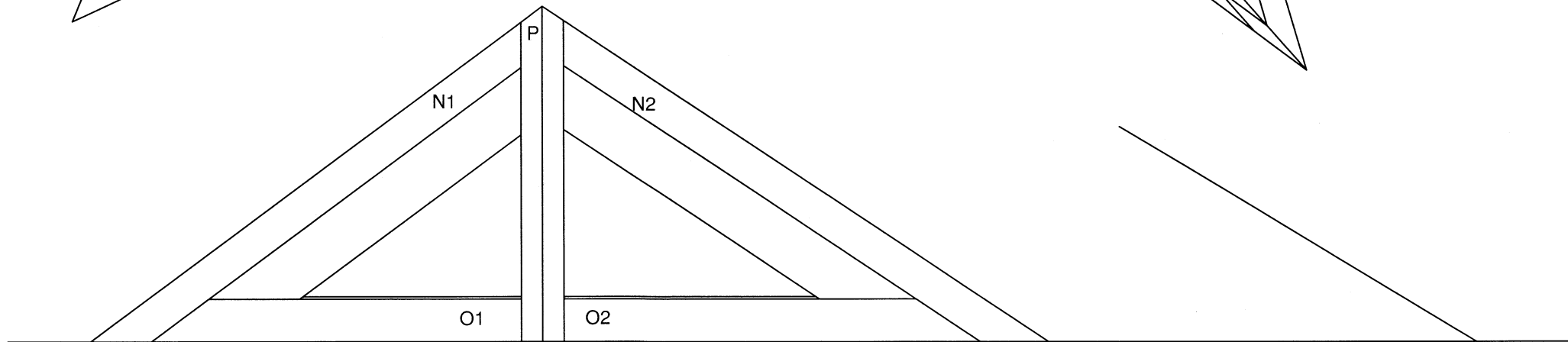
MODULE 2

worldskills/Shizuoka/JAPAN/2007	
Skill: 26 CARPENTRY	Module 2
Not to Scale	JAPAN Page; 2 of 2



San Ue DK

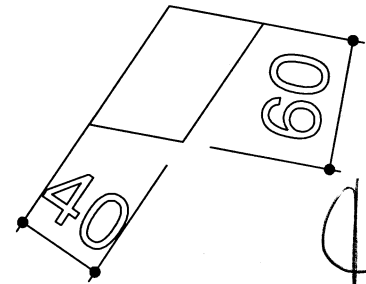
이영준 KR
 李榮俊 KR
 遠藤公紀 JP



900

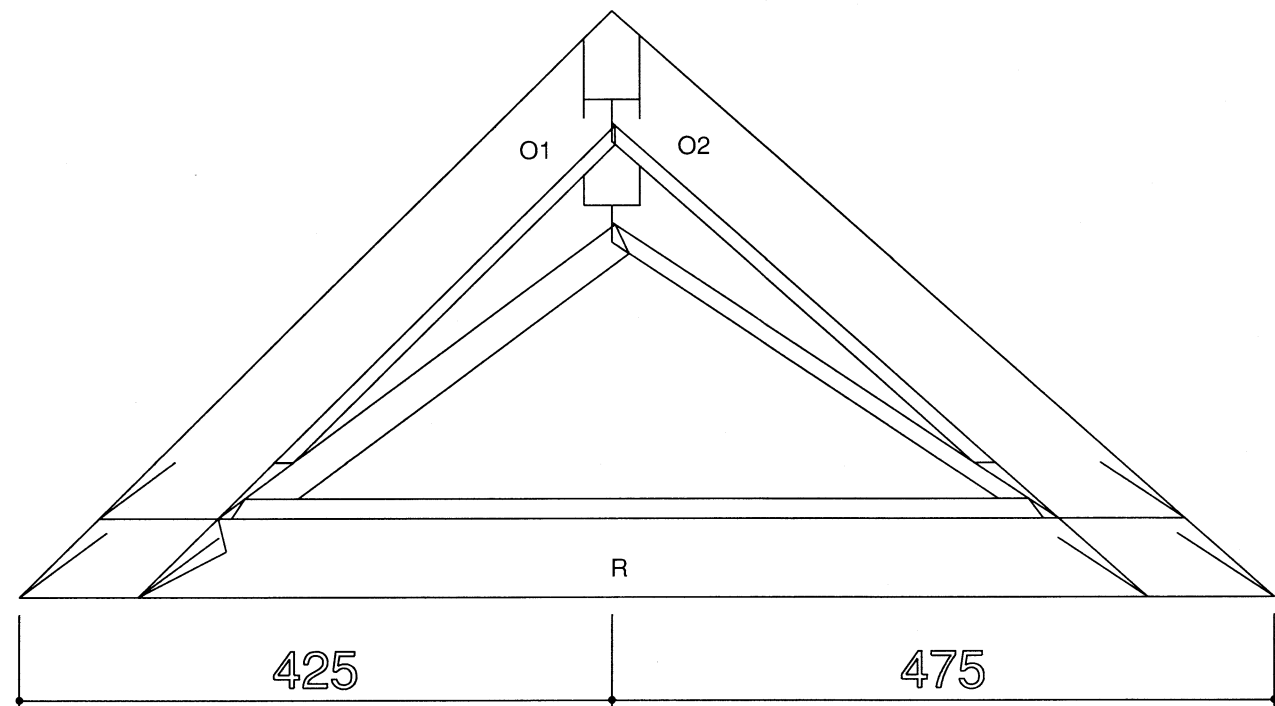
406

PLAN



SECTION N1, N2

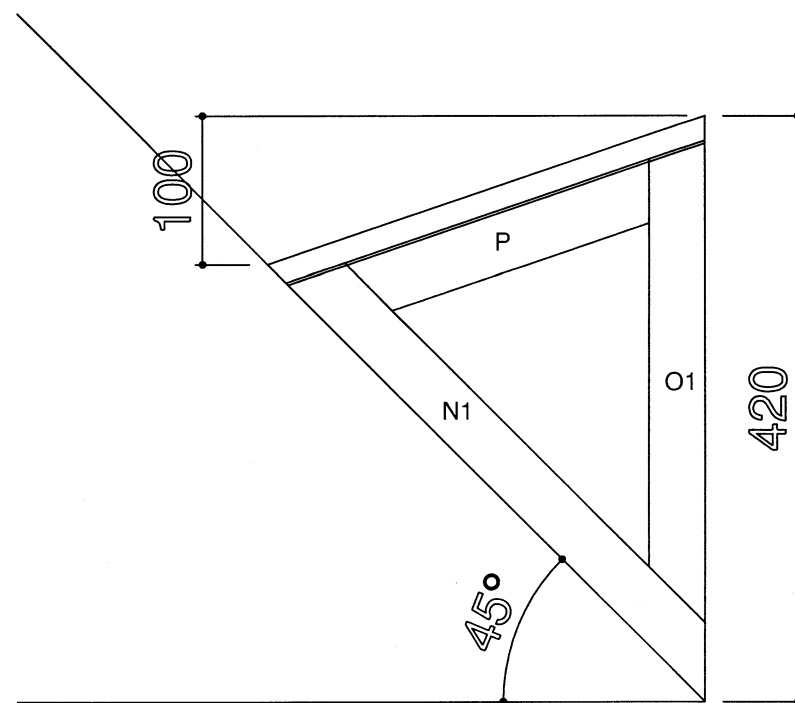
F. Rogg



425

475

FRONT VIEW



100

420

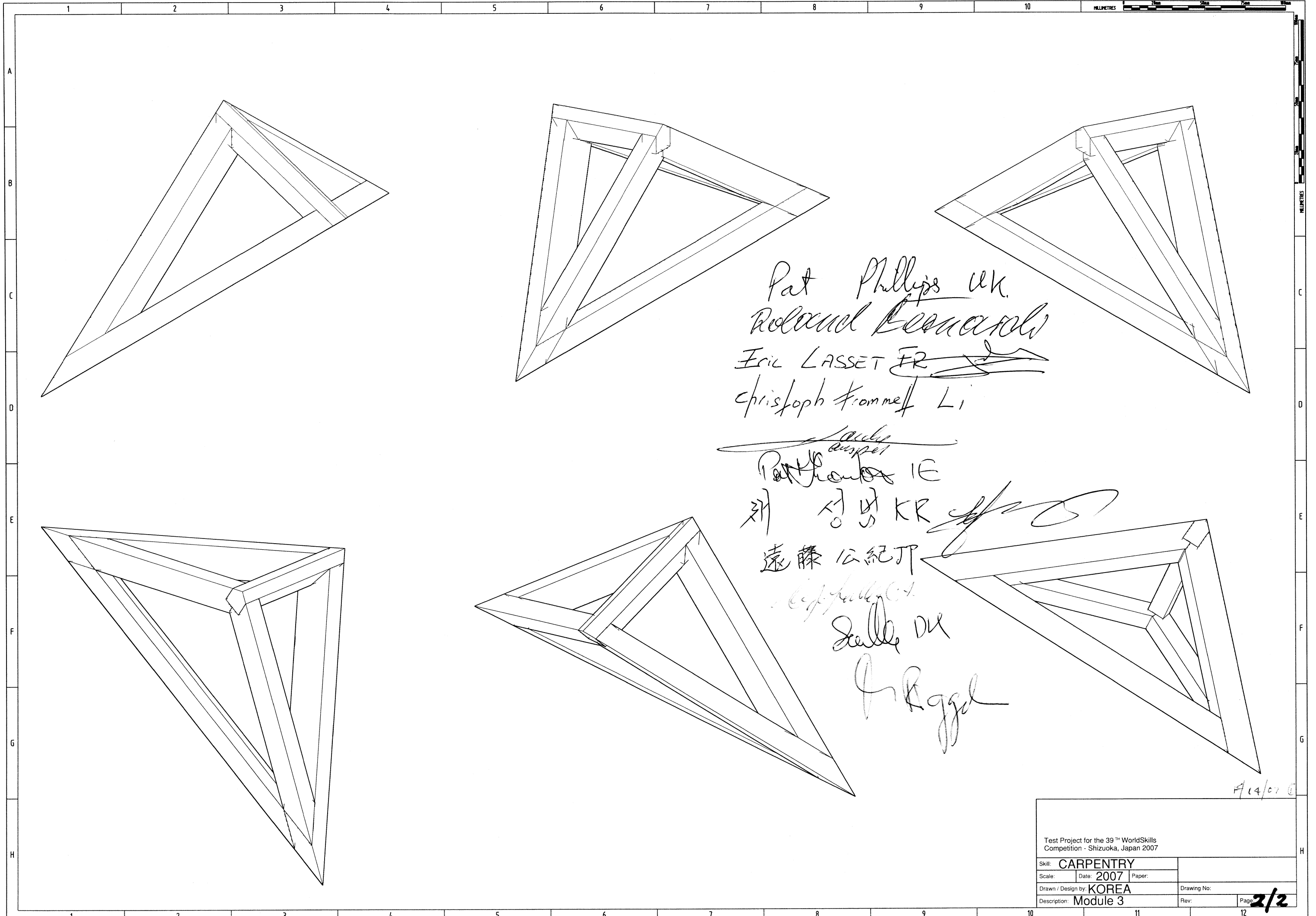
45°

LEFT VIEW

Pat Phillips UK
Eric LASSET FR
christoph Kromm LI
Roland Bernhardt
11/14/07

Test Project for the 39th WorldSkills Competition - Shizuoka, Japan 2007

Skill: CARPENTRY	Date: 2007	Paper:	
Drawn / Design by: KOREA		Drawing No:	
Description: Module 3		Rev:	Page: 1/2



Pat Phillips UK
Roland Beaumont
Eric LASSET FR
christoph frommelt LI

~~Pat Phillips IE~~
최성방 KR
遠藤公紀 JP
Sealle DK
P. Rogge

A14/07 C

Test Project for the 39 th WorldSkills Competition - Shizuoka, Japan 2007			
Skill: CARPENTRY	Date: 2007	Paper:	
Drawn / Design by: KOREA	Drawing No.:	Rev.:	Page: 2/2
Description: Module 3			